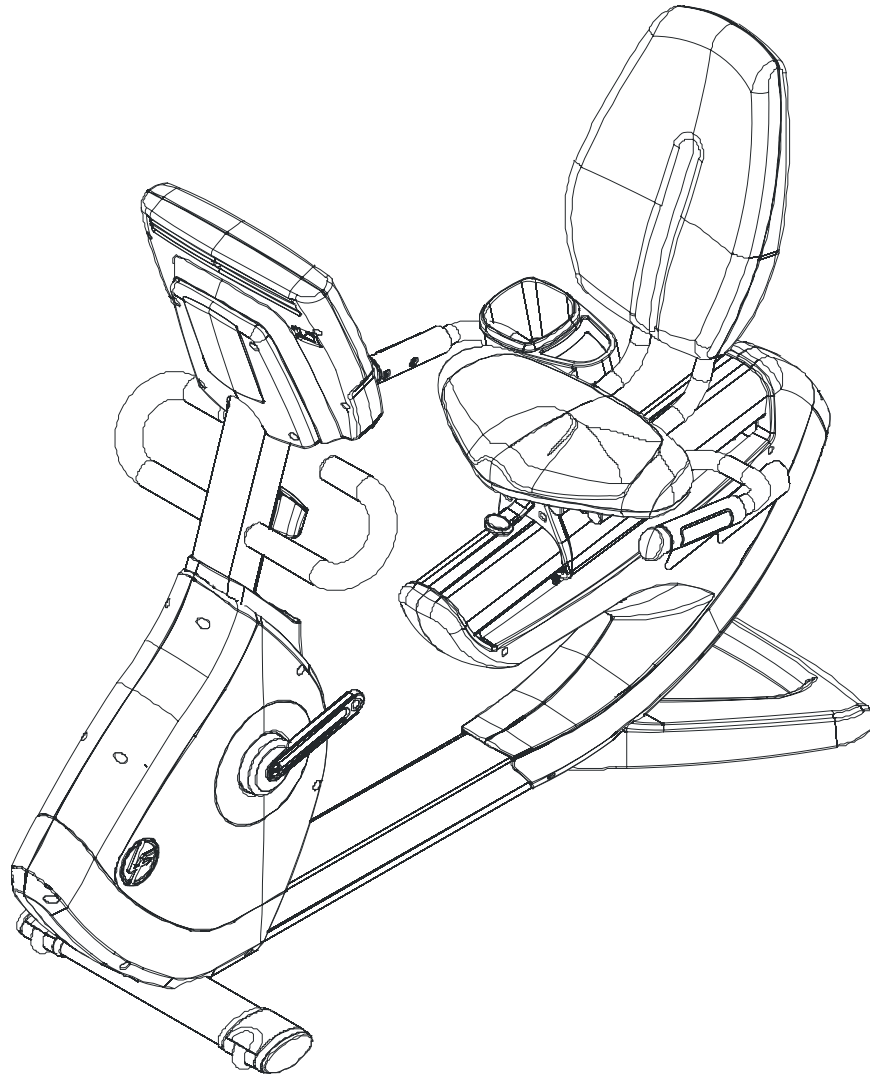


LifeFitness

Elevation Recumbent Bikes
(95R-ALLXX-01)



Customer Support Services
PARTS MANUAL rev 17 Oct 2008

Miscellaneous	3
Consoles	4
Monocolumn and Console Support Bracket	5
Shrouds	6
Front Stabilizer Components	7
Seat Handle Components	8
Pedals and Cranks	9
Seat Pad, Back Pad, and Leg Levelers	10
Extrusion Assembly	11
Carriage Assembly	12
Battery and Power Bracket Assembly	13
Idler Assembly	14
Generator and GBC Assembly	15
Pulley, Bearing Housing, and Belt	16
Cables	17

Description	Part No.
OPERATION MANUAL - (ENG)	OKCD-02001-0000
(For units equipped with 15" LCD consoles only)+36V POWER SUPPLY	0017-00003-1037
LINE CORD DOM 10A, 125V	0017-00003-0704
LINE CORD CONT 10A, 250V	0017-00003-0691
LINE CORD U.K. 10A	0017-00003-0889
LINE CORD AUSTRALIA	0017-00003-0918
LINE CORD CHINA 10A, 250V	0017-00003-1012
TOUCH UP PAINT: SPRAY CAN	0017-00008-0204
.5 OZ BOTTLE W/APPLICATOR	0017-00008-0205
.33 OZ PEN	0017-00008-0206
BRKT ASSY: POWER/COAX INPUT	AK66-00036-0000
ASSEMBLY CONSISTS OF:	
1) POWER COAX BRACKET	OK66-01063-0000
2) F-TYPE PANEL CONNECTOR	0017-00021-2846
3) RECEPTACLE PHONE JACK PANEL	0017-00021-2847
HARDWARE BAG	AK66-00079-0000

Model 95R-ALLXX-01 recumbent bike is available with either of these kits:
RECBNT-HANDLEBAR
RECBNT-ARMREST



7-inch Inspire LCD console



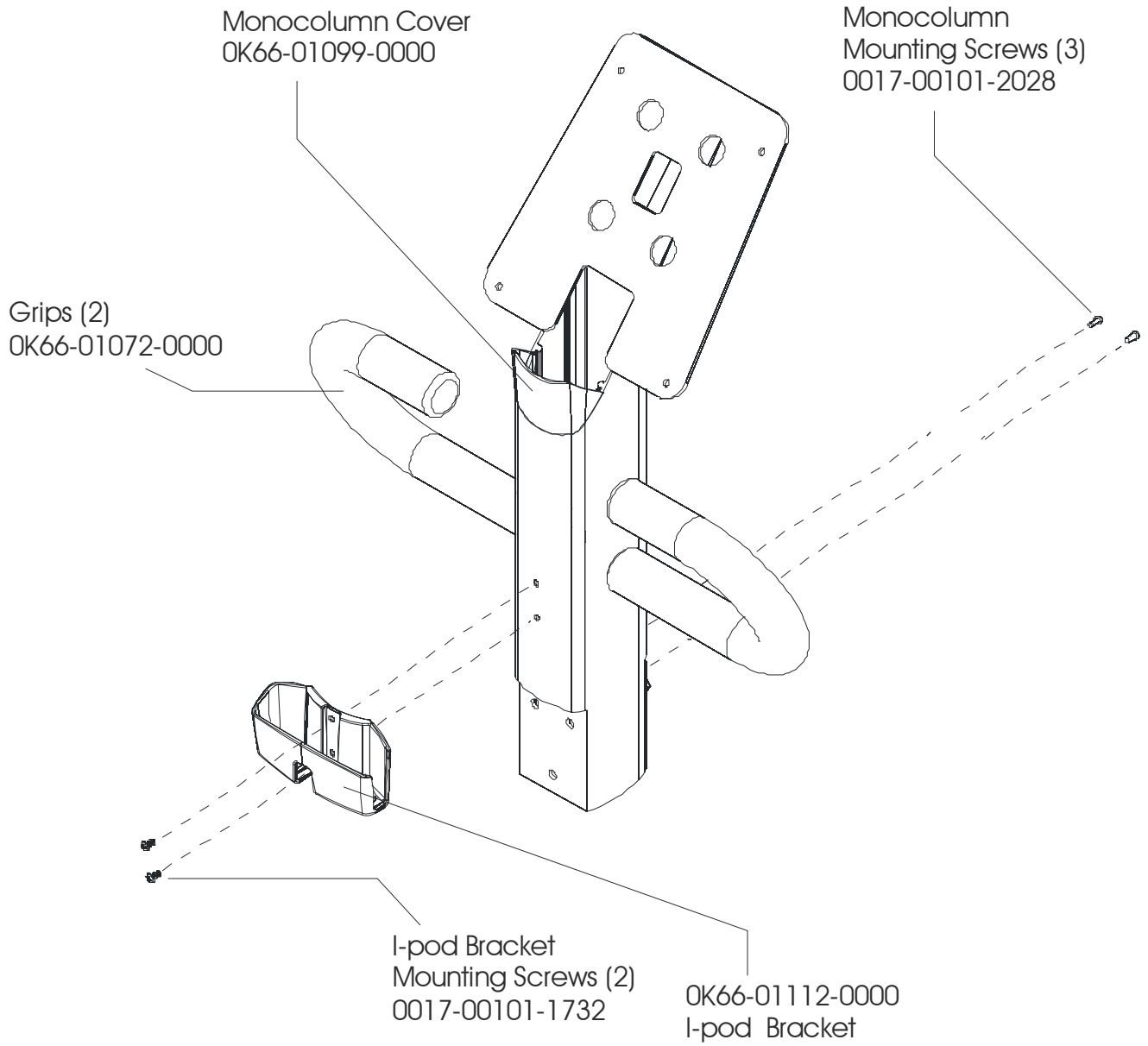
15-inch Engage LCD console



Achieve LED console

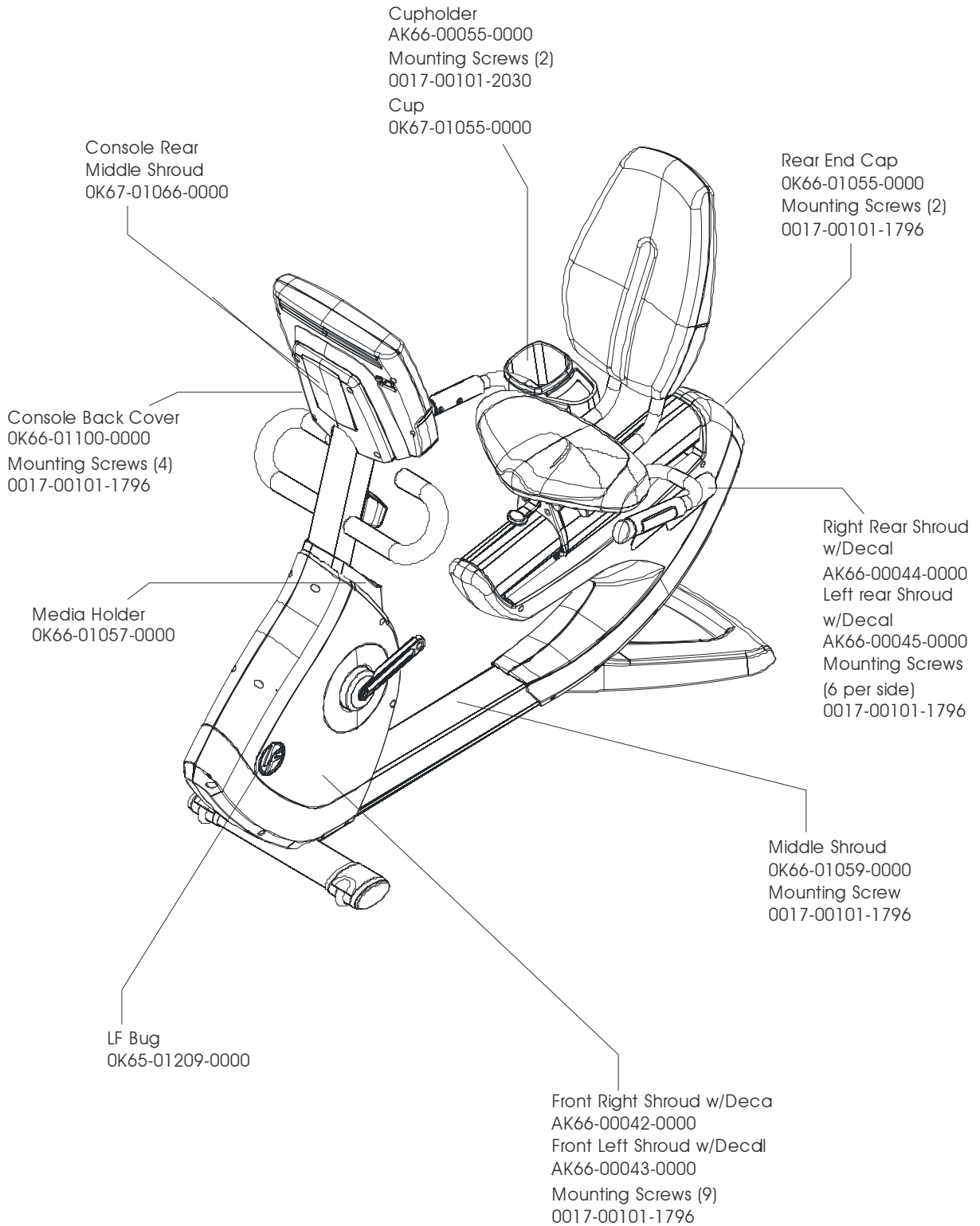
Console Assemblies	
Description	Part No.
7-INCH LCD BIKE/CT CONSOLE	07DN-ALLXX-01
15-INCH LCD BIKE/CT CONSOLE DOM - NTSC	15DN-ALLXN-01
15-INCH LCD BIKE/CT CONSOLE INT - PAL	15DN-ALLXP-01
LED BIKE/CT CONSOLE - DOMESTIC	LEDN-DOMXX-01
LED BIKE/CT CONSOLE - INTERNATIONAL	LEDN-INTXX-01

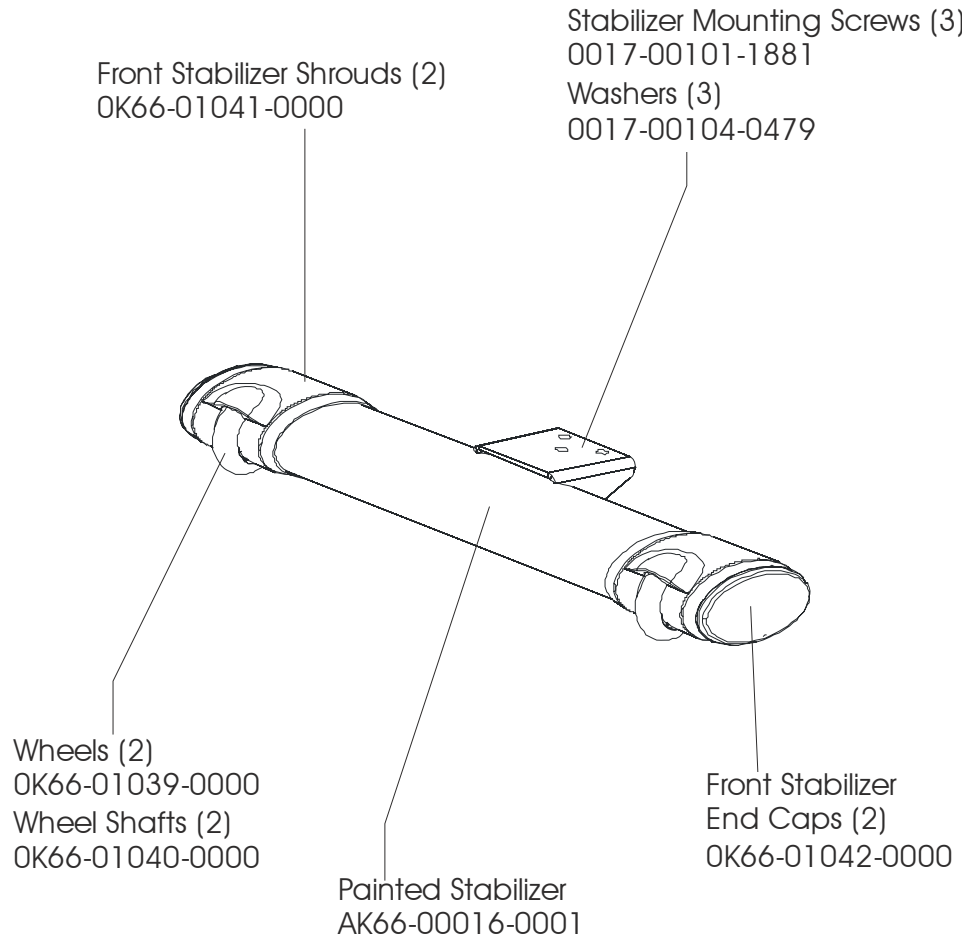
Monocolumn Assembly
AK66-00038-0000
(includes all components shown)

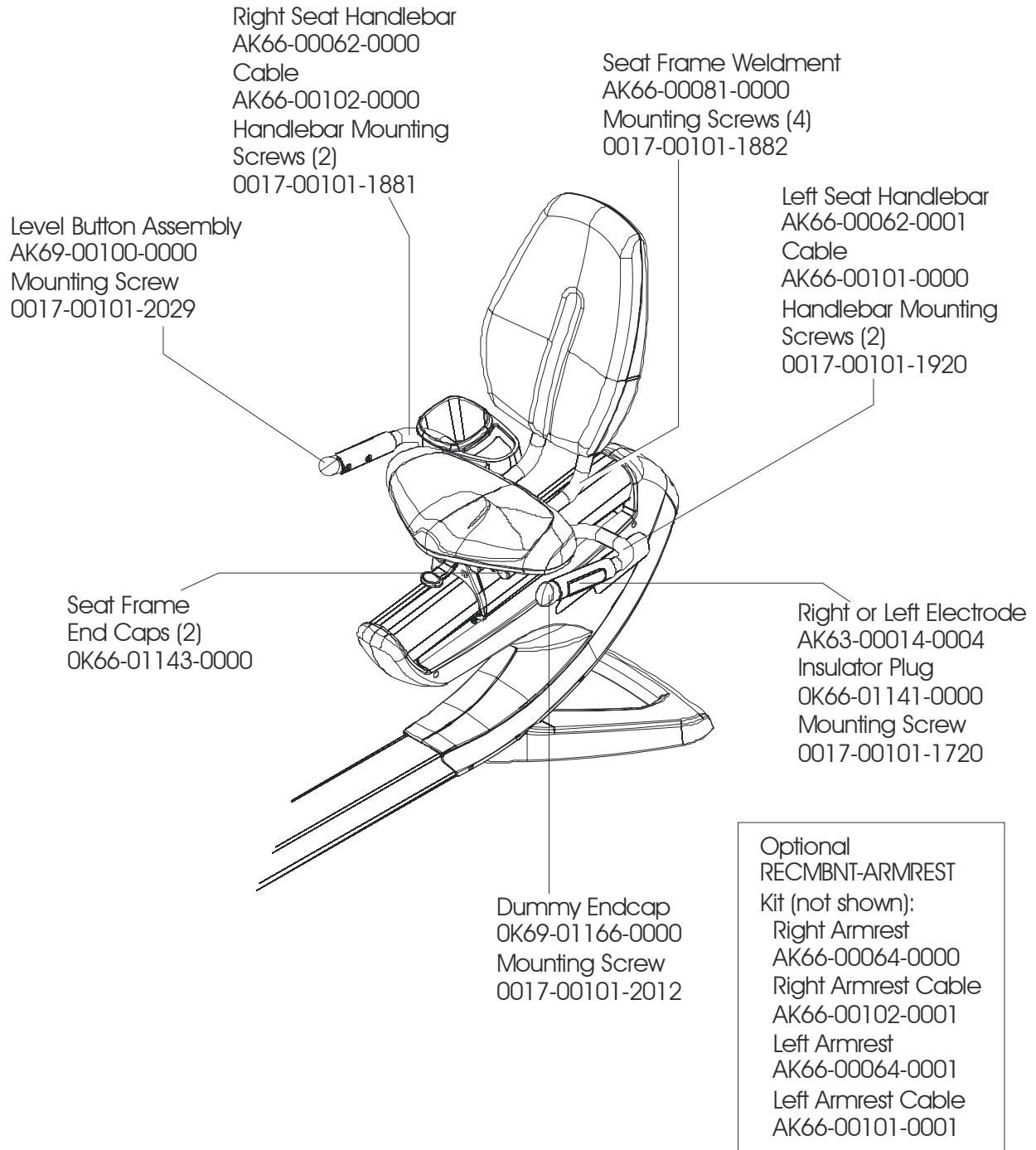


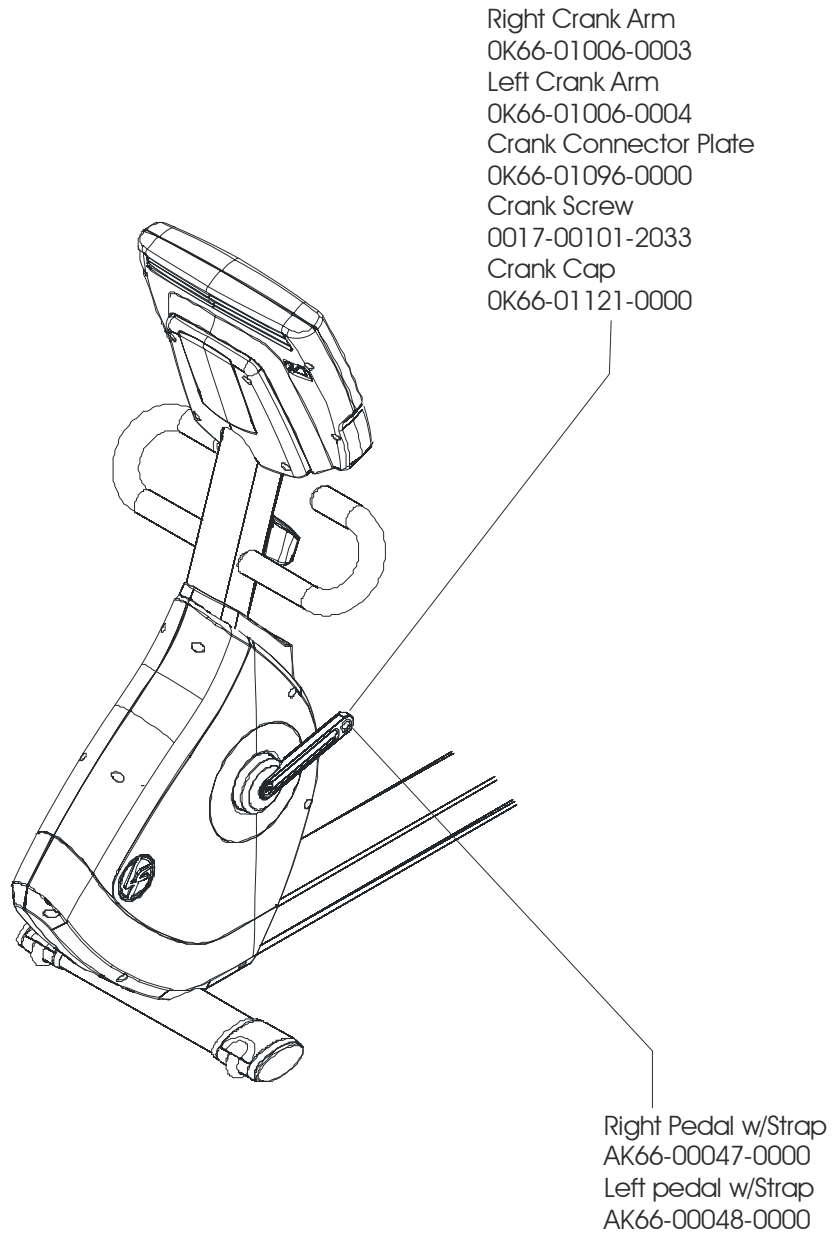
Elevation Recumbent Bikes
Shrouds

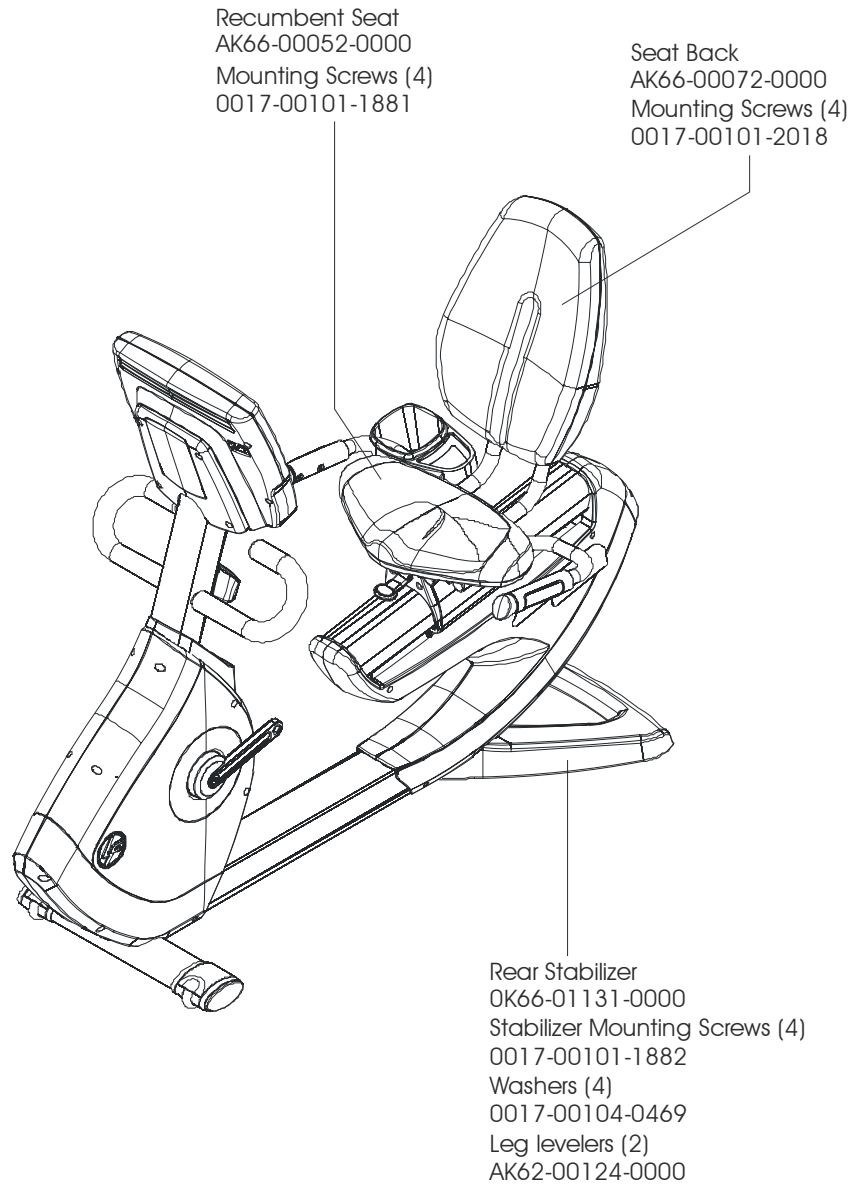
95R-ALLXX-01
S/N ALR100000 and up

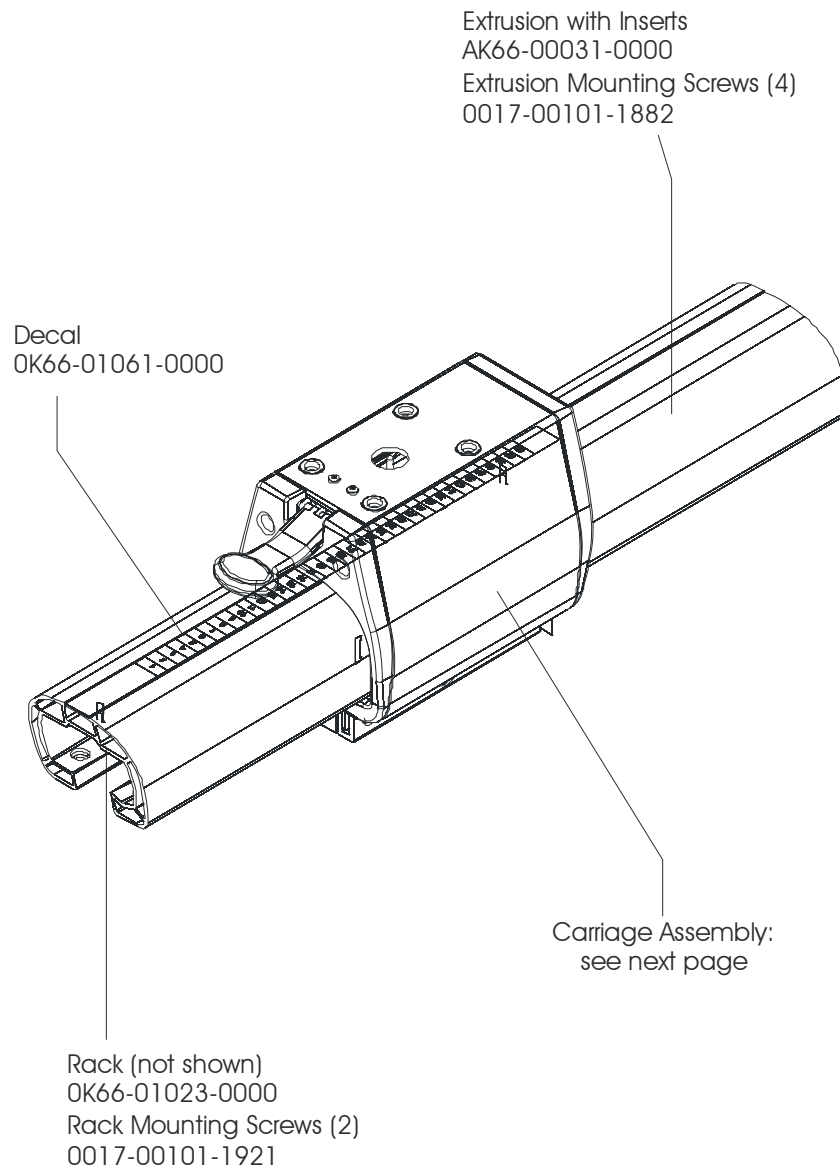


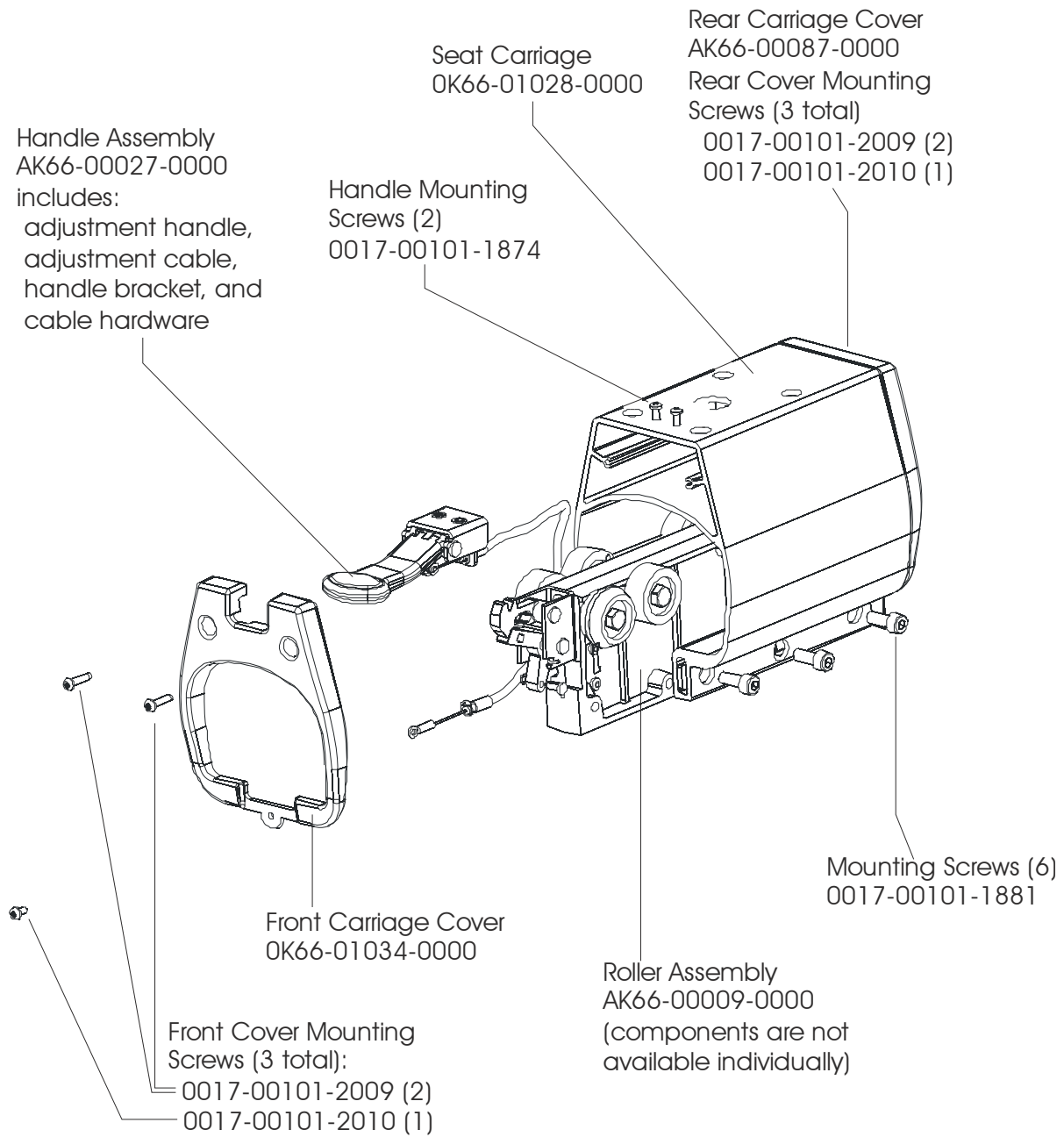




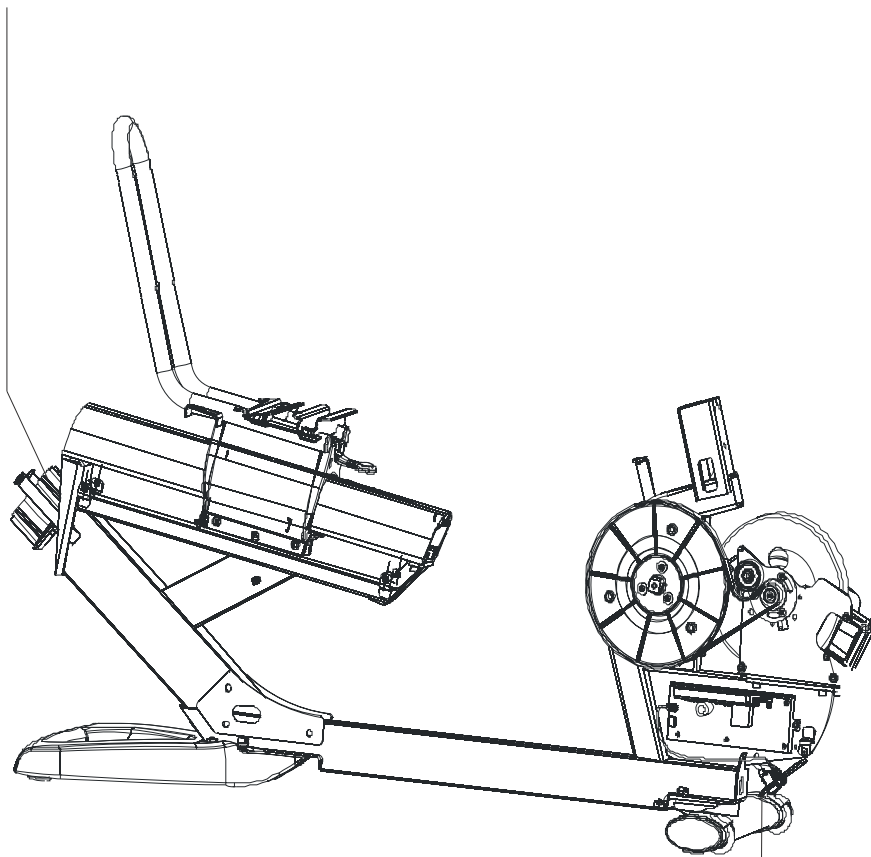




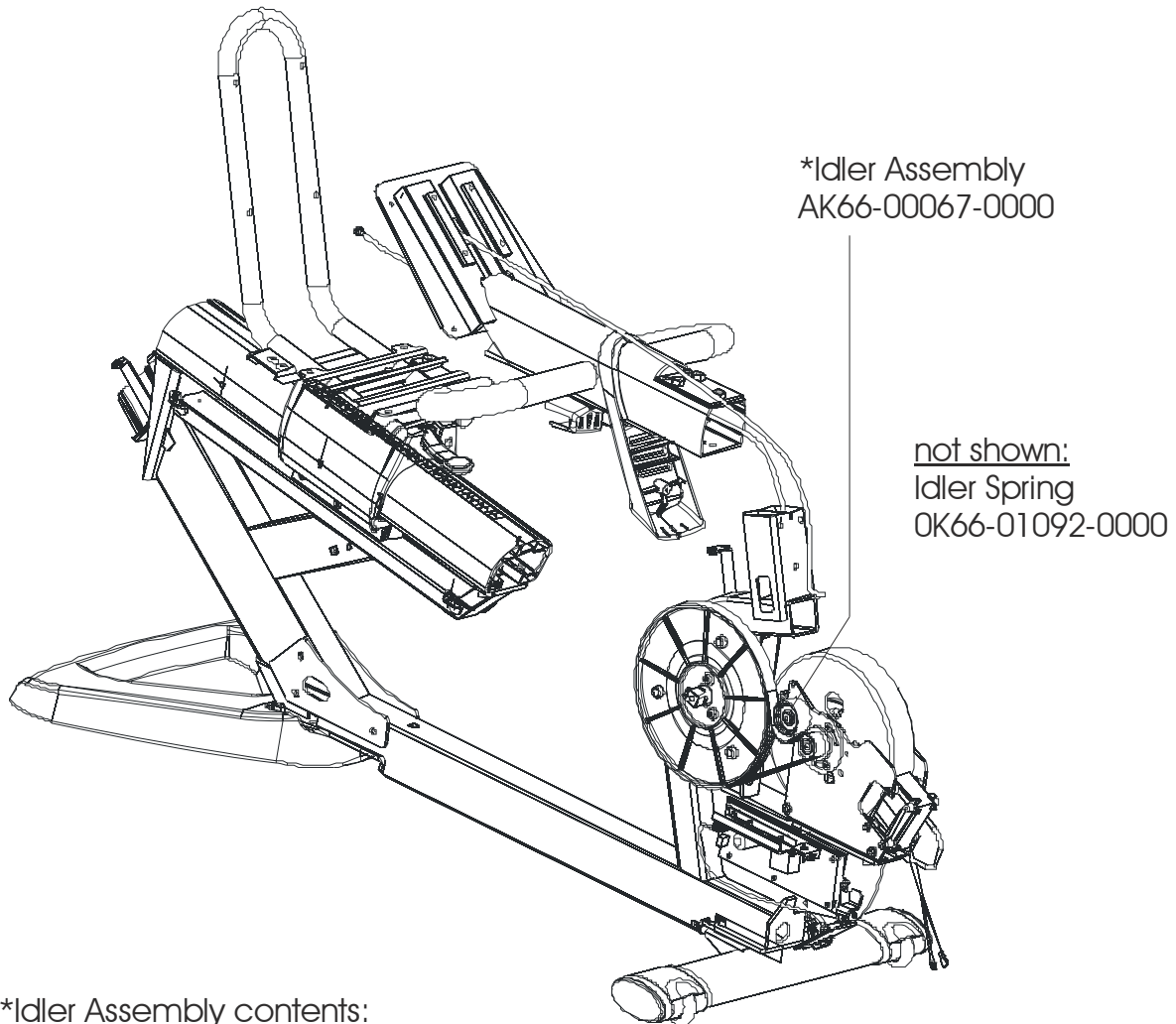




6V Battery
0017-00003-0685
Battery Mounting Screws (2)
0017-00101-1796

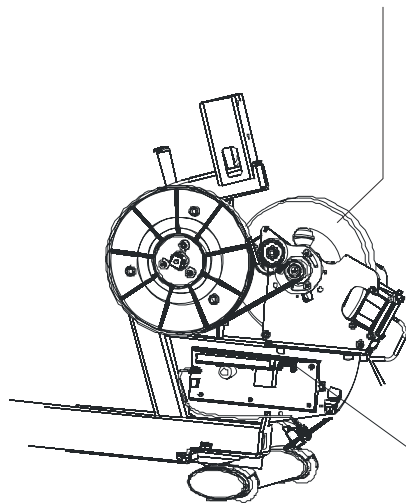


Power/Coax Bracket
AK66-00036-0000



- *Idler Assembly contents:
Idler Bracket (1)
AK66-00122-0000
Idler Bearing (1)
AK66-00066-0000
Nut (1)
0017-00103-0338

Generator/Brake
Pulley Assembly
AK66-00123-0000
Mounting Screws (4)
0017-00101-1920
Washers (4)
0017-00104-0469

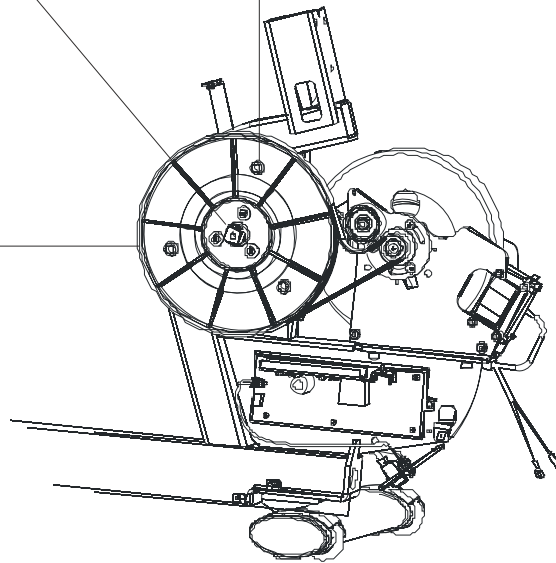


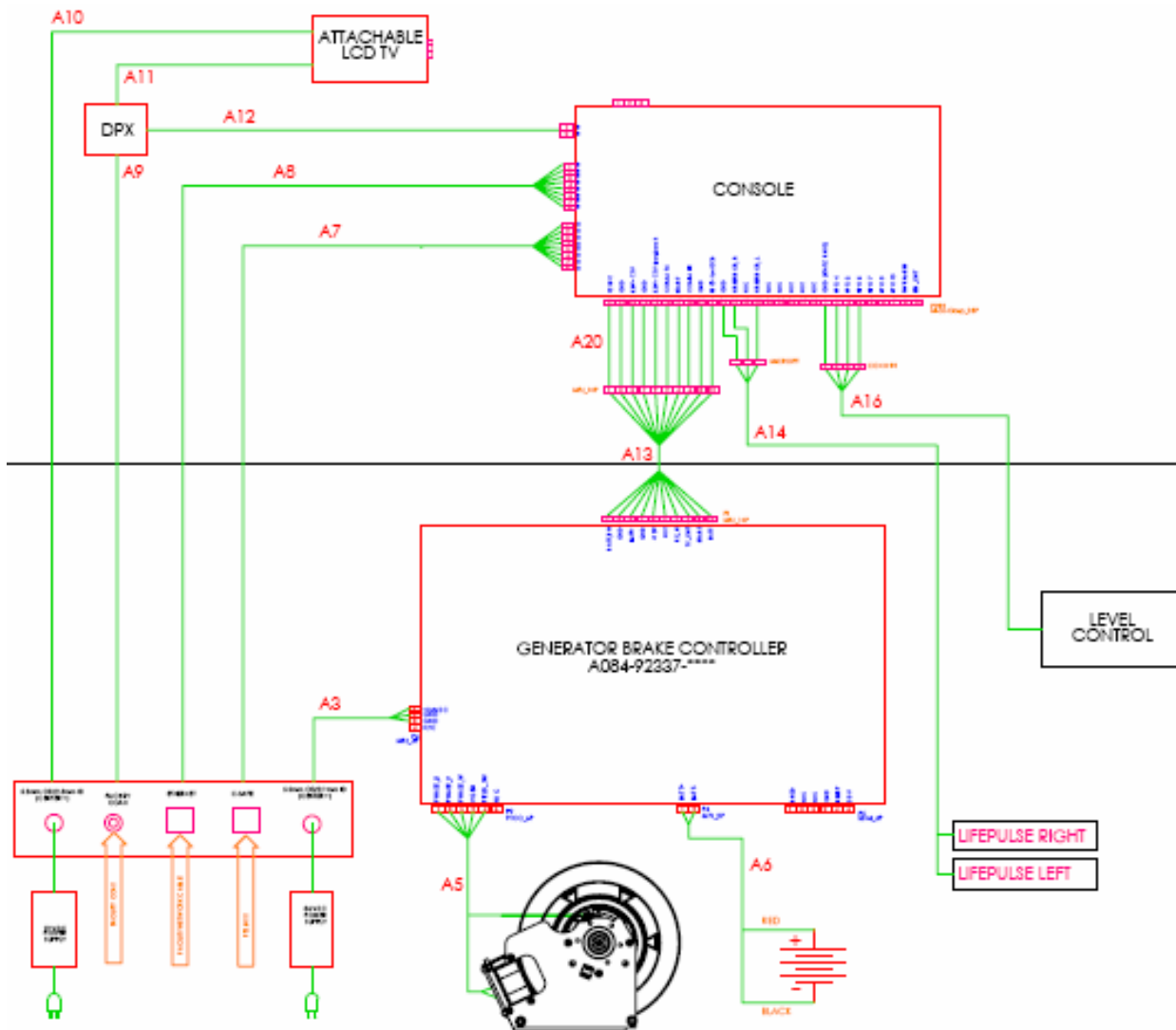
Power PCB and Bracket
Assembly with Software
AK66-00100-0001
Mounting Screw
0017-00101-1986

Crank-Hub/Bearing/Shaft Assembly
AK66-00003-0000
Crank Hub Mounting Screw
0017-00101-1881
Washers (3)
0017-00104-0469

Crank Pulley
OK66-01005-0000
Pulley Mounting Screws (3)
0017-00101-1891
Washers (3)
0017-00104-0468

Poly-V Belt
0017-00009-0837





Cables	
Description	Part No.
ETHERNET CABLE ASSEMBLY (A8 - Phone jack connector)	AK32-00019-0001
COAX CABLE, 90" (A9)	AK32-00020-0001
POWER EXTENSION CABLE, 120" (A10 - External Power to TV)	AK32-00078-0001
SEAT ADJUSTMENT FLEX CABLE	AK66-00103-0000
LP/LC CABLE ASSEMBLY	AK66-00104-0000
CONSOLE/HANDLE BAR CABLE ASSEMBLY	AK66-00105-0000
BATTERY CABLE ASSEMBLY (A6 - Battery to GBC)	AK66-00109-0000
RECURBENT CARRIAGE CABLE ASSEMBLY	AK66-00111-0000
CONSOLE UPRIGHT CABLE ASSEMBLY (CONSOLE TO GBC)	AK67-00106-0000
GENERATOR/BRAKE CABLE ASSEMBLY (A5 - Generator to GBC)	AK67-00107-0000
External power cable Assembly (A3 - External Power to console)	AK67-00108-0000